

## **304 stainless steel Smart Bluetooth U-lock security lock for commercial office buildings**

### **Advantage:**

- \* Bold alloy steel, anti-violence
- \* Waterproof protection for outdoor scenes
- \* Silicone case protection, comfortable to handle, more comprehensive protection of the lock body
- \* Key sharing, one-button unlocking
- \* Share the Bluetooth key authorization to others through the applet, and reclaim the right to use the key at any time.
- \* Unlock record, one-click query
- \* Unlock the trace. You can view the time of each unlock and the unlocker information through an applet.
- \* One-click authorization, unlock permission, one-click delete, unlock permission, real-time view, unlock record
- \* USB charging, long standby

# Smart Bluetooth U-lock

Bluetooth connection, applet unlock, bold lock body, silicone protection



# Why do we need a smart share lock?



Forgot to bring the key



Company management handover



The key is easy to copy



The key is easy to be cracked

Solve your lock needs in all directions



Keyless unlocking / Low power design / Bluetooth unlock

# Advantages

No keyhole

Remote share key

Anti-universal key

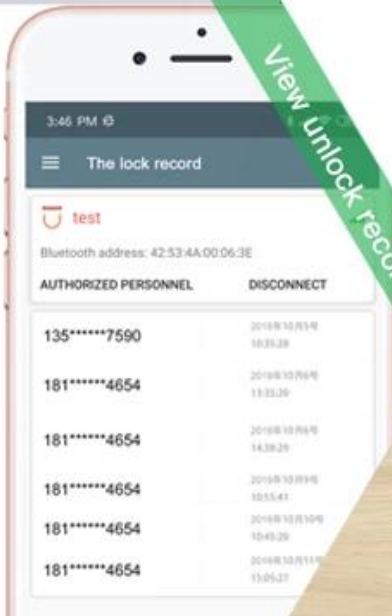
Stainless steel

View unlock record

Chargeable

Mobile phone Bluetooth unlock

USB chargeable



The image shows a smartphone screen displaying a lock management application. The screen shows the time 3:46 PM, the title 'The lock record', and a Bluetooth address: 42:53:4A:00:06:3E. Below this is a table with two columns: 'AUTHORIZED PERSONNEL' and 'DISCONNECT'. The table lists several entries with phone numbers and timestamps.

AUTHORIZED PERSONNEL	DISCONNECT
135*****7590	2018/10/25 18:23:28
181*****4654	2018/10/26 13:23:20
181*****4654	2018/10/26 14:38:25
181*****4654	2018/10/26 10:55:41
181*****4654	2018/10/26 10:43:20
181*****4654	2018/10/26 15:05:27



## Quality assurance



Bold alloy steel, anti-violence

Silicone case protection, more comprehensive protection of the lock body

# Waterproof protection for outdoor scenes



# 2.1A

*Quality assurance*

*Quick charge technology*



Security



Quality



Fast

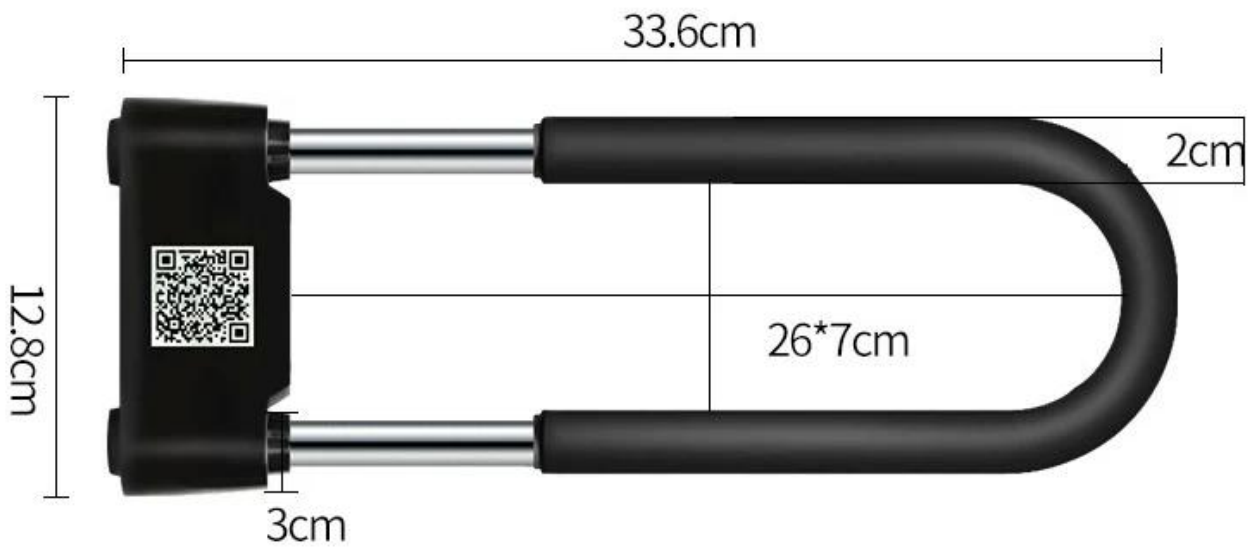




# Product configuration parameters

Item	Detailed description
Product specifications	336mm*128mm*30mm
Working voltage	DC 4V
Working current	< 5VmA
Bluetooth	BLE 4.2
Working temperature	-20°C ~ +60°C
Storage temperature	-40°C ~ +75°C
Installation method	Free wiring, direct use
Host weight	about 1000g
Battery capacity	500mAh can work for 180 days
Body color	black, silver (matte, bright)
Support system	Support for Apple, Android

# size



# Place of use

Room



E-Bike



Other



Glass door

