

304 roestvrij staal [Smart Bluetooth U-Lock](#) Beveiligingsslot voor commerciële kantoorgebouwen

Voordeel:

- * BOLD Legeringsstaal, anti-geweld
- * Waterdichte bescherming voor buitenscènes
- * Siliconen behuizing bescherming, comfortabel om te hanteren, meer uitgebreide bescherming van het slotlichaam
- * Sleutel delen, unlocking one-button
- * Deel de Bluetooth-toetsvergunning aan anderen via de applet en reclaim het recht om de sleutel op elk gewenst moment te gebruiken.
- * Record ontgrendelen, een klikopdracht
- * Ontgrendel het spoor. U kunt de tijd van elke ontgrendeling en de unlocker-informatie bekijken via een applet.
- * One-click-autorisatie, ontgrendel toestemming, één klik verwijderen, ontgrendelen toestemming, real-time weergave, ontgrendel record
- * USB-opladen, lange stand-by

Smart Bluetooth U-lock

Bluetooth connection, applet unlock, bold lock body, silicone protection



Why do we need a smart share lock?



Forgot to bring the key



Company management handover



The key is easy to copy



The key is easy to be cracked

Solve your lock needs in all directions



Keyless unlocking / Low power design / Bluetooth unlock

Advantages

No keyhole

Remote share key

Anti-universal key

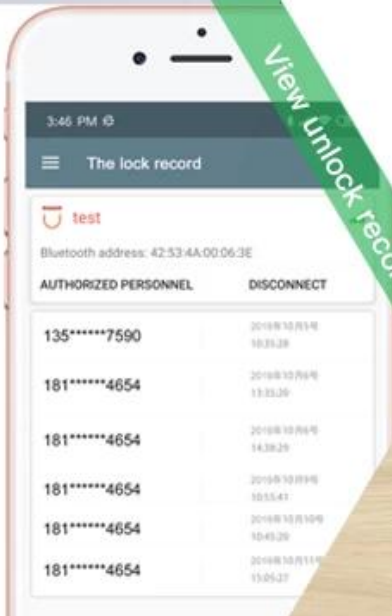
Stainless steel

View unlock record

Chargeable

Mobile phone Bluetooth unlock

USB chargeable



The image shows a smartphone screen displaying a lock management application. The screen shows the time 3:46 PM, the title 'The lock record', and a Bluetooth address: 42:53:4A:00:06:3E. Below this is a table with two columns: 'AUTHORIZED PERSONNEL' and 'DISCONNECT'. The table lists several entries with phone numbers and timestamps.

AUTHORIZED PERSONNEL	DISCONNECT
135*****7590	2018/10/25 18:23:28
181*****4654	2018/10/26 13:23:20
181*****4654	2018/10/26 14:38:25
181*****4654	2018/10/26 10:55:41
181*****4654	2018/10/26 10:43:20
181*****4654	2018/10/26 15:05:27



Quality assurance



Bold alloy steel, anti-violence

Silicone case protection, more comprehensive protection of the lock body

Waterproof protection for outdoor scenes



2.1A

Quality assurance

Quick charge technology



Security



Quality



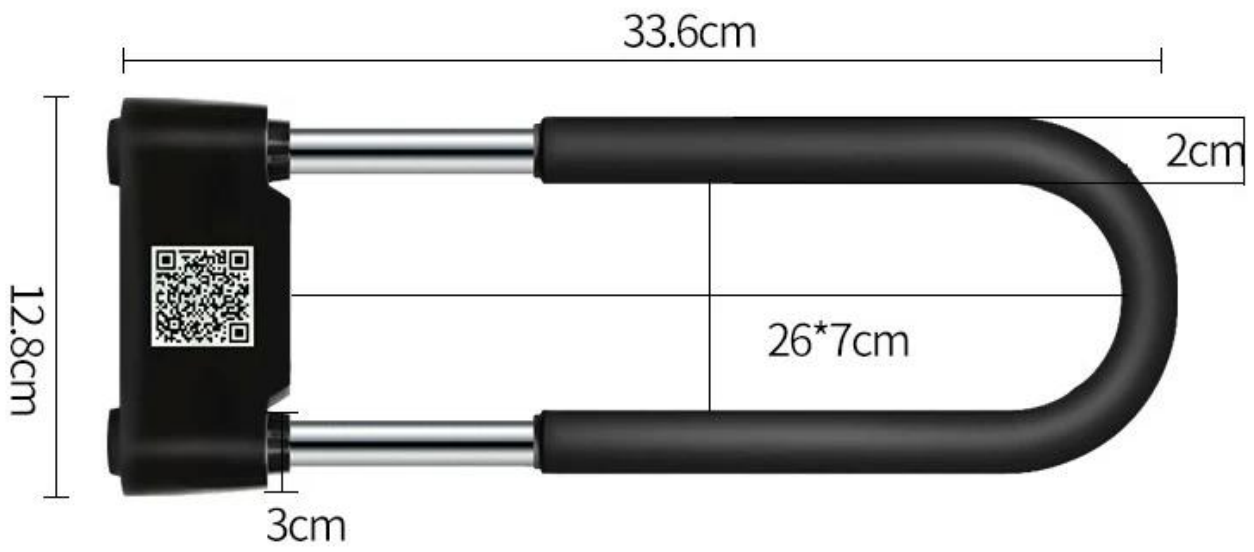
Fast



Product configuration parameters

Item	Detailed description
Product specifications	336mm*128mm*30mm
Working voltage	DC 4V
Working current	< 5VmA
Bluetooth	BLE 4.2
Working temperature	-20°C ~ +60°C
Storage temperature	-40°C ~ +75°C
Installation method	Free wiring, direct use
Host weight	about 1000g
Battery capacity	500mAh can work for 180 days
Body color	black, silver (matte, bright)
Support system	Support for Apple, Android

size



Place of use

Room



E-Bike



Other



Glass door

