

SMART LOCK

MULTIPLE UNLOCKING METHODS ONE STEP AHEAD



- 1 APP scan code to unlock
- 2 Mobile Bluetooth unlock
- 3 Server remote command unlock



SMART LOCK

MULTI-MODE HIGH- PRECISION POSITIONING



GPS, Beidou, Glonass and other multi-mode high-precision positioning, real-time query, vehicle detection, and geo-fence can be set.



GPS

Glonass

BDS

00 0000 00 000 000 00 000 000 0000 0000. 000 000 00 000 000 000 00 000 0000
00 000 000 00000.

SMART LOCK

TWO CHARGING METHODS, SOLVE THE BATTERY LIFE PROBLEM



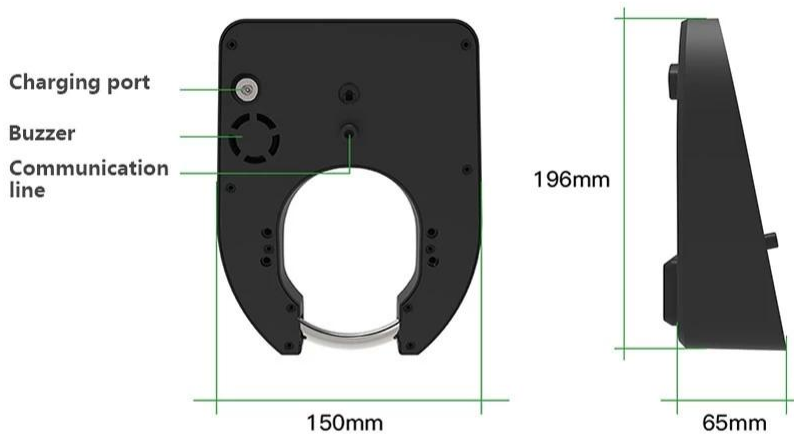
Support solar panel charging, DC head charging, improve battery life and emergency charging



□□□ □□□ □□ □□□ □□ □□□ □□ □ □□□□

SMART LOCK

APPEARANCE AND SIZE



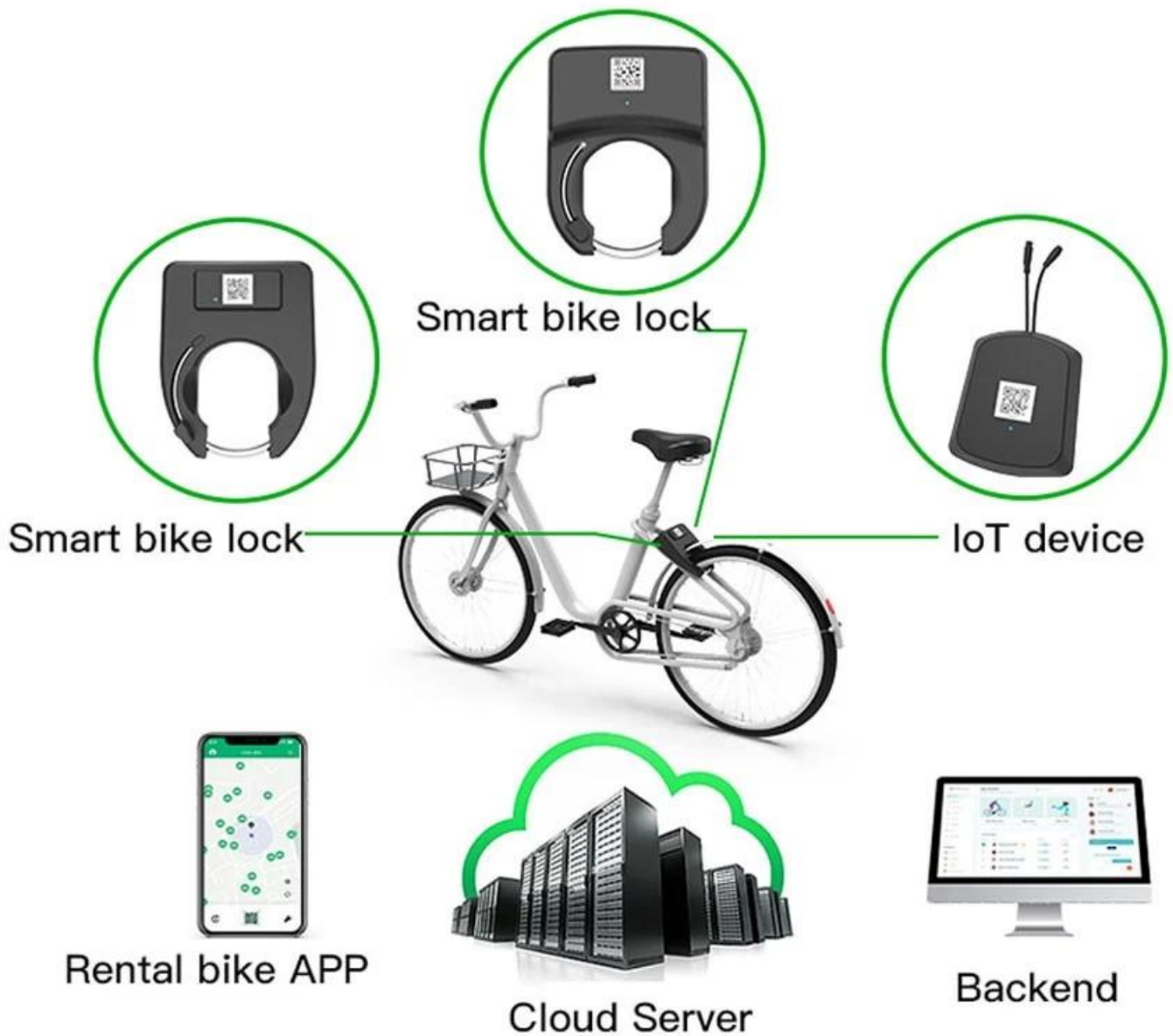
THE MAIN PARAMETERS

Communication method	2G/4G/BLE
Multiple targeting	GPS/Glonass/BDS
Upgrade method	OTA&BLE
Built-in battery	8000mAh
Steel ring diameter	8mm
Waterproof level	IPX6
Shell material	Aluminum alloy shell

මෙම පද්ධතිය මාරු කිරීමේදී, පරිශීලකයන්ට පහසු කිරීමක් සපයයි.

මෙහිදී, මාරු කිරීමේදී IoT උපකරණ, මාරු කිරීමේදී මාරු කිරීමේදී, මාරු කිරීමේදී මාරු කිරීමේදී.

Bike Rental System



මෙම පද්ධතිය මාරු කිරීමේදී, Omni මාරු කිරීමේදී මාරු කිරීමේදී මාරු කිරීමේදී.

INTERNET OF THINGS CORE TECHNOLOGY SOLUTION PROVIDER

R & D + production + sales for 20 years



3

01 Source factory (R&D + production + sales)

ODM/OEM personalized customization, daily output 2000 pieces, 4000 square meters factory, independent laboratory

02 50+ member R&D team

Deeply cultivated in the field of Internet of Things for more than 20 years, mastering core technologies more than 200 patents

03 Quality assurance (20 years experience)

With 20 years of production experience, from product production to delivery
Standardized testing and control throughout the process

6000 m²

The company covers an area

20W pcs

Monthly production

— PARTNER —

