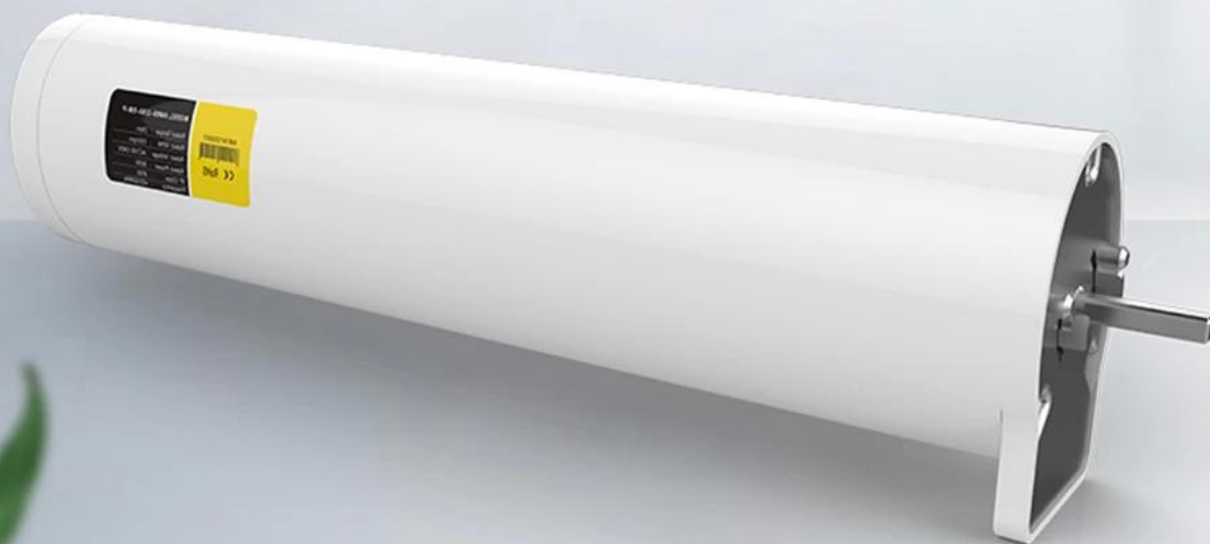


AM-68

LOW NOISE · HIGH TORQUE



INTELLIGENT



SMART ERA STARTS FROM THE WINDOW

Improve life with technology

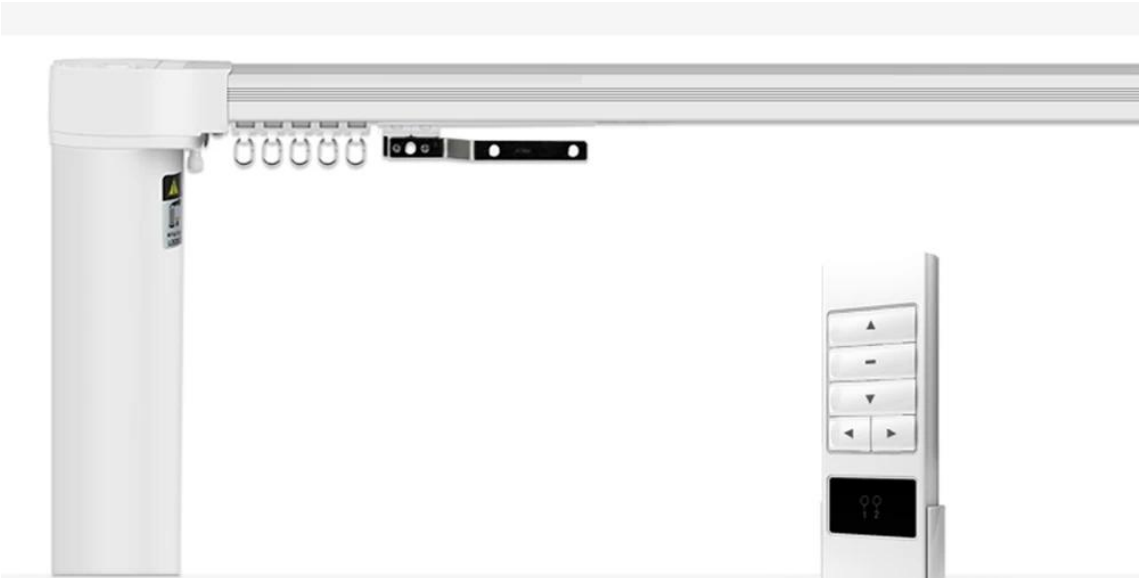


BE QUIETER BE MORE ENERGETIC

Quiet, under your control

Automatic opening and closing curtain motor





One press of remote control
Easy opening and closing



9 EXPERIMENTAL DATA PROVE STRENGTH

AM-68 is not afraid of challenges, speaks with data



26 dB

Mute index



65W

Electric power



65W

Safety load



360°

No dead ends



20years

Service life



15000 times

Aging test



IP20

Protection level



21years

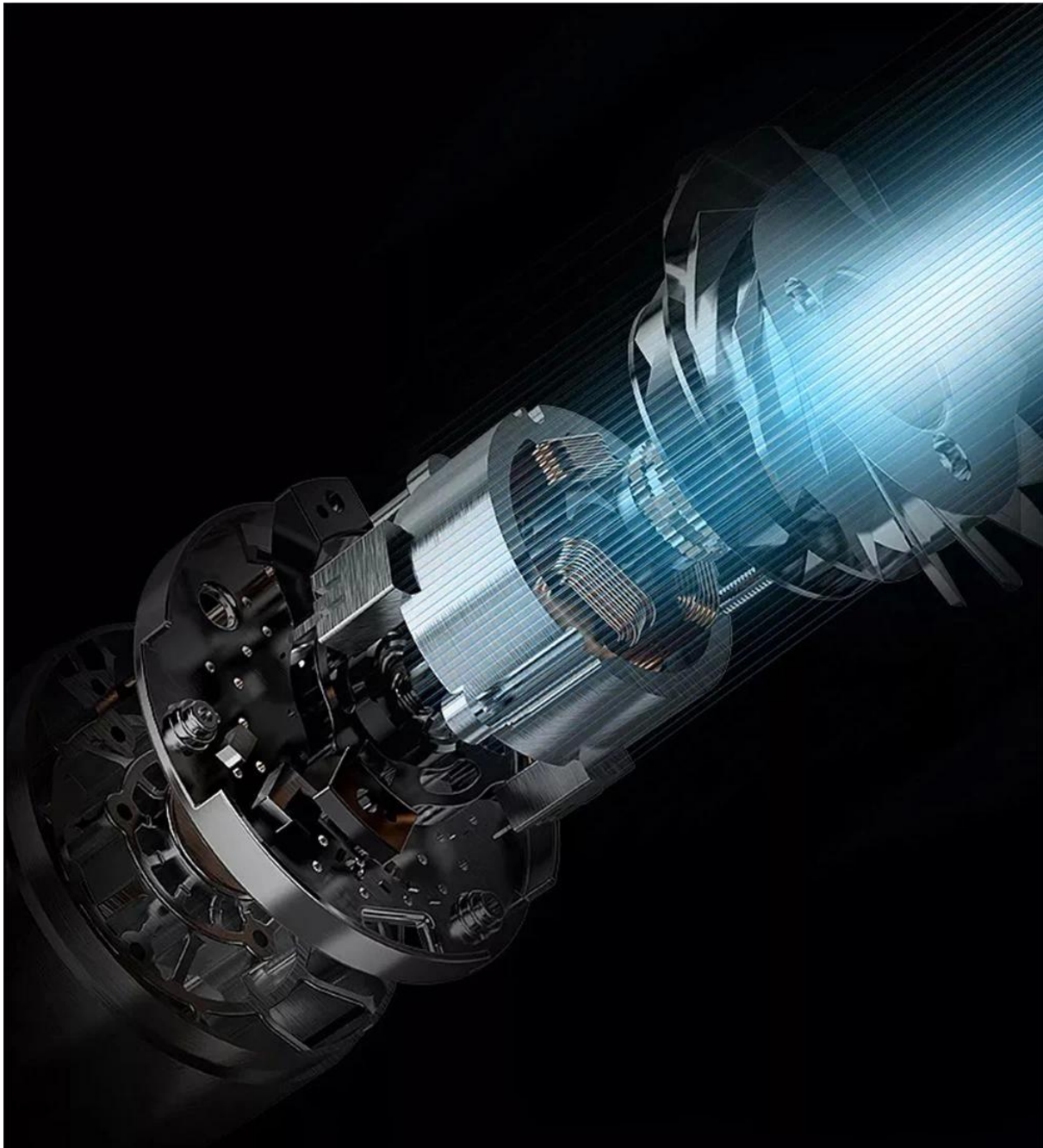
Focus on industry



5years

5 years warranty

The parameters mentioned above are subject to actual use,
all data are derived from the testing center laboratory and
are not absolute values.



HIGH-POWER BRUSHLESS MOTOR

The brushless motor equipped with the high-power barrel motor not only stabilizes the power of Bombay, but also allows the machine to operate relatively quietly and keep silent.

Our motor

Electromagnetic clutch
+
Helical tooth



The coil is energized to generate magnetism
Efficient and smooth



Helical gear rotation
reduces noise by 25%

26dB

1 meter distance
measured

Other's motor

Mechanical clutch
+
Straight tooth



Mechanical clutch structure
general transmission
efficiency, heavier hand pull



Straight tooth rotation
the gear bite is heavy

35dB

1 meter distance
measured

VS

APPLICATION SCENARIO

Control multiple scenes easily



OFFICE



HOTEL



FACTORY

INTERPRET THE QUALITY

Better performance comes from
more refined quality

HELICAL TEETH MORE SILENT

Helical teeth design, makes the entire
click smoother and quieter

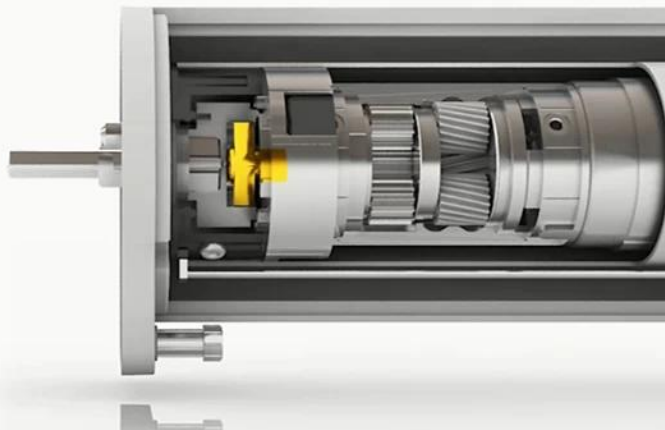


DOUBLE SHOCK ABSORPTION

Double shock absorption design, more
natural and stable when working

NO DEAD SPOTS PERFECT FIT

No dead spot design, perfectly fits the
card position and groove



FULL SET OF SMART CURTAINS

Package design, including motor,
track, remote control



Parameters

Smart curtain

Rated power	80W
Input voltage	AC100-240V 50/60Hz
Rated torque	1.5N·m
Rated load	80kg
Protection level	IP20
Motor size	316x68x53mm

Currently, 5G band WiFi is not supported, please select 2.4 band WiFi

The parameters mentioned above are subject to actual use,
all data are derived from the testing center laboratory and
are not absolute values.