

Smart Bike Locks with GPS Tracking System and QR Code Unlocking System

Omni [smart bike lock](#) is different with old bicycle locks. It is keyless which supports connection with Bluetooth and 2G and 4G. Riders just need to use their smartphone and open the bike sharing app or mini program to scan the QR code on smart bike locks or shared bikes and rental electric bikes for unlocking. After the smart bike locks get the command, it would be automatically unlocked, and those shared bikes or rental electric bikes can be allowed to use.

The characteristics about smart bike lock

- 1, Automatic unlocking with network connection / Bluetooth connection
- 2, It is locked by hand. Users finish their riding and pay for it, then they will close it. This method is to make sure the locking of smart bike lock is 100% correctly.
- 3, Battery: 8000mAh
- 4, With standby mode, the power can be for 2-3 months at 25°C.
- 5, OTA upgrade supported.
- 6, Working temperature: -10°C to +60°C
- 7, Storage temperature: -40°C to +80°C
- 8, Humidity: 5% - 95%
- 9, Water resistant level: IP66
- 10, The adapter is 6V, 3000mAh. American standard, British standard and Australian standard is optional.

For the unlocking, there's not only scanning QR code for unlocking. By Bluetooth connection, the smart bike locks can be unlocked as well. As for perfect arrangement, the ride share companies can remote control the smart lock through server, so they can open it on backend.

Therefore, it is known as a [bike remote control lock](#).

SMART LOCK

MULTIPLE UNLOCKING METHODS ONE STEP AHEAD



- 1 APP scan code to unlock
- 2 Mobile Bluetooth unlock
- 3 Server remote command unlock



SMART LOCK

MULTI-MODE HIGH- PRECISION POSITIONING



GPS, Beidou, Glonass and other multi-mode high-precision positioning, real-time query, vehicle detection, and geo-fence can be set.



GPS

Glonass

BDS

For shared bikes, the smart bike locks are built-in solar panel. Therefore, the smart locks can be battery-charging so as to improve the battery life and emergency charging.

SMART LOCK

TWO CHARGING METHODS, SOLVE THE BATTERY LIFE PROBLEM



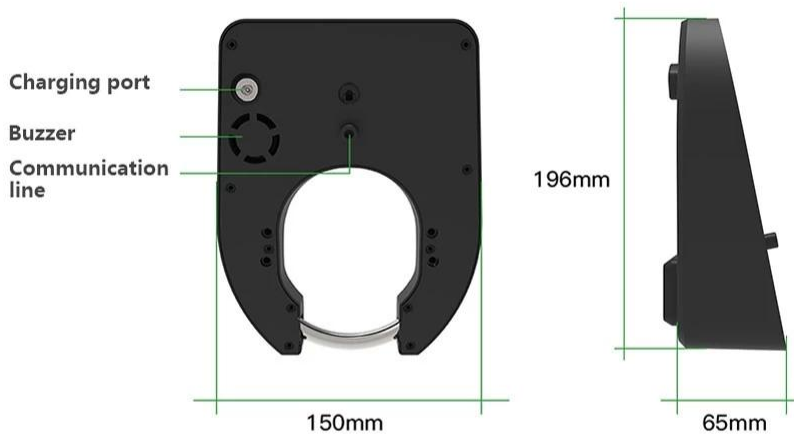
Support solar panel charging, DC head charging, improve battery life and emergency charging



More details and parameters of the smart bike locks

SMART LOCK

APPEARANCE AND SIZE



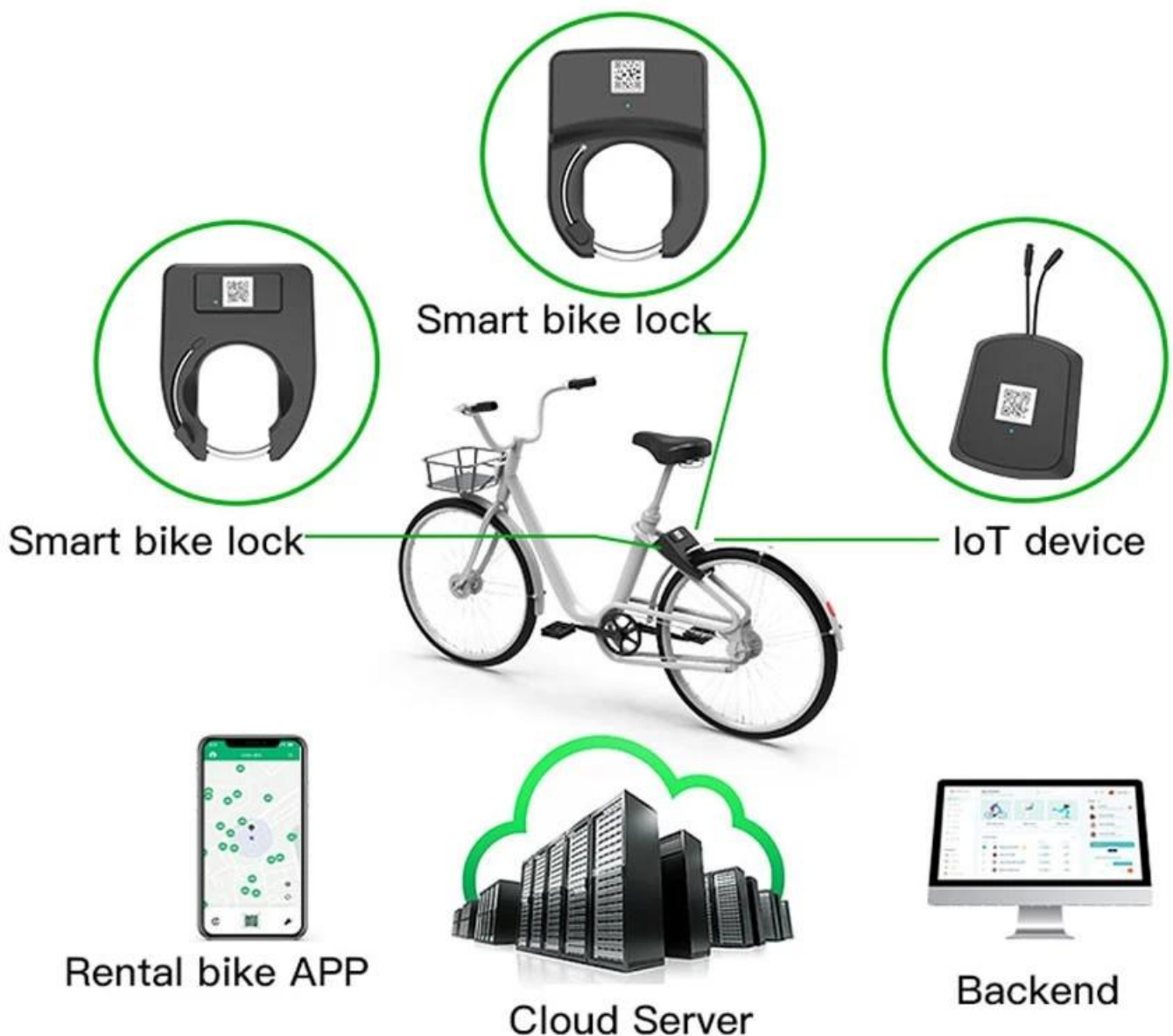
THE MAIN PARAMETERS

Communication method	2G/4G/BLE
Multiple targeting	GPS/Glonass/BDS
Upgrade method	OTA&BLE
Built-in battery	8000mAh
Steel ring diameter	8mm
Waterproof level	IPX6
Shell material	Aluminum alloy shell

The bike rental system includes hardware and software for the benefits of shared bikes and rental electric bikes.

The hardware is the smart bike lock or IoT device, the software is rental bike app and cloud server for connections, this is the whole system for rideshare business.

Bike Rental System



As a smart bike locks supplier, Omni has rich experience for solutions for sharing bikes and rental electric bikes.

INTERNET OF THINGS CORE TECHNOLOGY SOLUTION PROVIDER

R & D + production + sales for 20 years



3

01 Source factory (R&D + production + sales)

ODM/OEM personalized customization, daily output 2000 pieces, 4000 square meters factory, independent laboratory

02 50+ member R&D team

Deeply cultivated in the field of Internet of Things for more than 20 years, mastering core technologies more than 200 patents

03 Quality assurance (20 years experience)

With 20 years of production experience, from product production to delivery
Standardized testing and control throughout the process

6000 m²

The company covers an area

20W pcs

Monthly production

— PARTNER —

