

OMNI Manufactures RFID Cabinet Locks

ONE KEY FOR MULTIPLE LOCKS - This RFID cabinet locks are programmable, and users can use one key (RFID card/fob) to unlock several cabinet locks as you want. The only thing users need to do: program the key into the locks and test it before installation.

COMPACT SIZE & STURDY MECHANISM - Latch and mortise are made by metal, they are sturdy enough for the cabinets. Unlock the cabinet door without touching. RFID card / tags are portable and easy to store. Provides good safety protection of your personal items. Improve children's safety at home, avoid your kids free to open the drawers or cabinet doors.

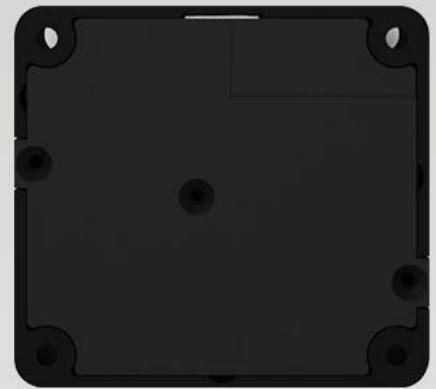
LOW POWER ALARM & AUTO-UNLOCK - Once the RFID cabinet lock has been setup and programmed, it will indicate as needed low-battery status with a long beep after being opened. After the long beep, the RFID cabinet lock can be used approximately 15 times. When the batteries become too weak to operate, the door will open automatically, at which point the batteries must be replaced before the lock can be used again.

DIY KIT FOR YOU - Installation Template, Double Stick Tape and User Manual are provided in the kit. This RFID cabinet lock can be used with a USB power adapter instead of alkaline batteries. USB cable is provided in the kit but the customer must furnish a standard USB power adapter.

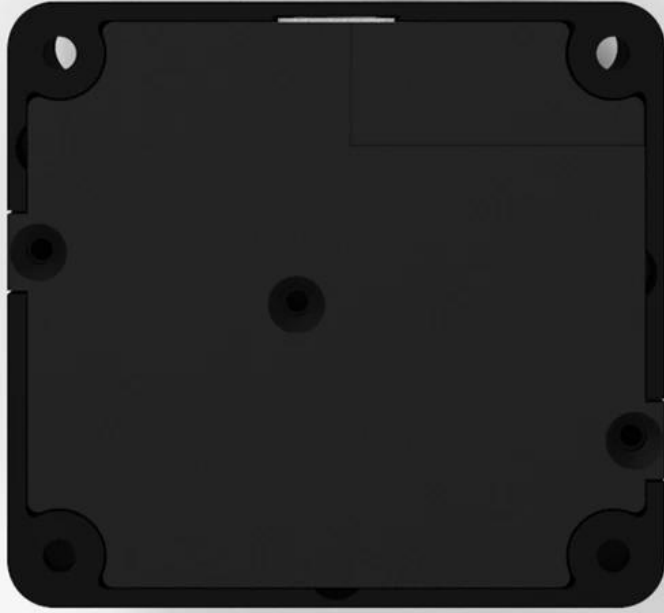
NO HOLES

Intelligent hidden cabinet lock

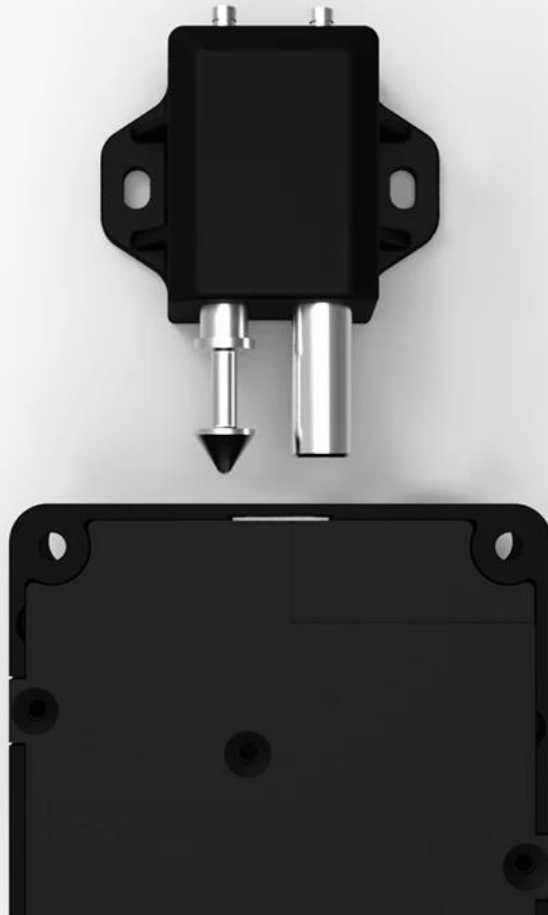
Refuse the key to live easy



NECESSARY FOR
HOME AND OFFICE



**THICKENED STEEL LOCK
TONGUE WITH METAL LOCK CORE**





SWIPE TO OPEN

**NO OPENING, INVISIBLE
CONCEALED INSTALLATION**

- Thickened lock core
- Swipe to open
- Anti-lock



FACTORY

HOME AND OFFICE ESSENTIAL

DIRECT SALES

SENSING DISTANCE UP TO 5CM

THICKENED SOLID STAINLESS STEEL BOLT





MATCH ITERATIVE CPU

Adopt new iteration professional CPU
Applied to card sensing algorithm

Effective sensing distance up to 5cm



