

304 acier inoxydable [Smart Bluetooth U-Lock](#) Serrure de sécurité pour les bâtiments de bureaux commerciaux

Avantage:

- * Acier allié audacieux, anti-violence
- * Protection étanche pour scènes extérieures
- * Protection des cas de silicone, confortable à gérer, une protection plus complète du corps de verrouillage
- * Partage de clé, déverrouillage d'un bouton
- * Partagez l'autorisation de clé Bluetooth aux autres à travers l'applet et récupérez le droit d'utiliser la clé à tout moment.
- * Déverrouiller l'enregistrement, une requête en un clic
- * Déverrouillez la trace. Vous pouvez afficher l'heure de chaque déverrouillage et les informations de déverrouillage via une applet.
- * Autorisation d'un clic, autorisation de déverrouillage, en un clic Supprimer, Déverrouillez la permission, vue en temps réel, enregistrement de déverrouillage
- * Charge USB, longue veille

Smart Bluetooth U-lock

Bluetooth connection, applet unlock, bold lock body, silicone protection



Why do we need a smart share lock?



Forgot to bring the key



Company management handover



The key is easy to copy



The key is easy to be cracked

Solve your lock needs in all directions



Keyless unlocking / Low power design / Bluetooth unlock

Advantages

No keyhole

Remote share key

Anti-universal key

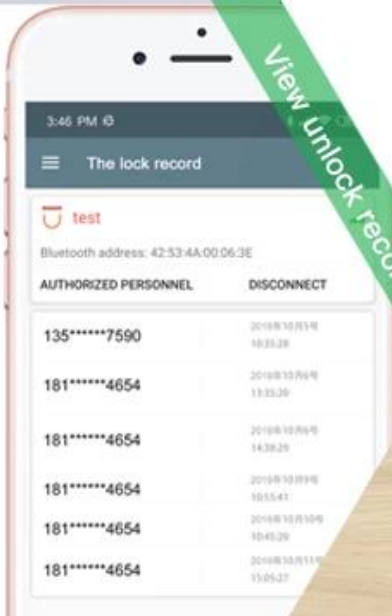
Stainless steel

View unlock record

Chargeable

Mobile phone Bluetooth unlock

USB chargeable



The image shows a smartphone screen displaying a lock management application. The screen shows the time 3:46 PM, the title 'The lock record', and a Bluetooth address: 42:53:4A:00:06:3E. Below this is a table with two columns: 'AUTHORIZED PERSONNEL' and 'DISCONNECT'. The table lists several entries with phone numbers and timestamps.

AUTHORIZED PERSONNEL	DISCONNECT
135*****7590	2018/10/25 18:23:28
181*****4654	2018/10/26 13:23:20
181*****4654	2018/10/26 14:38:25
181*****4654	2018/10/26 10:55:41
181*****4654	2018/10/26 10:43:20
181*****4654	2018/10/26 15:05:27



Quality assurance



Bold alloy steel, anti-violence

Silicone case protection, more comprehensive protection of the lock body

Waterproof protection for outdoor scenes



2.1A

Quality assurance

Quick charge technology



Security



Quality



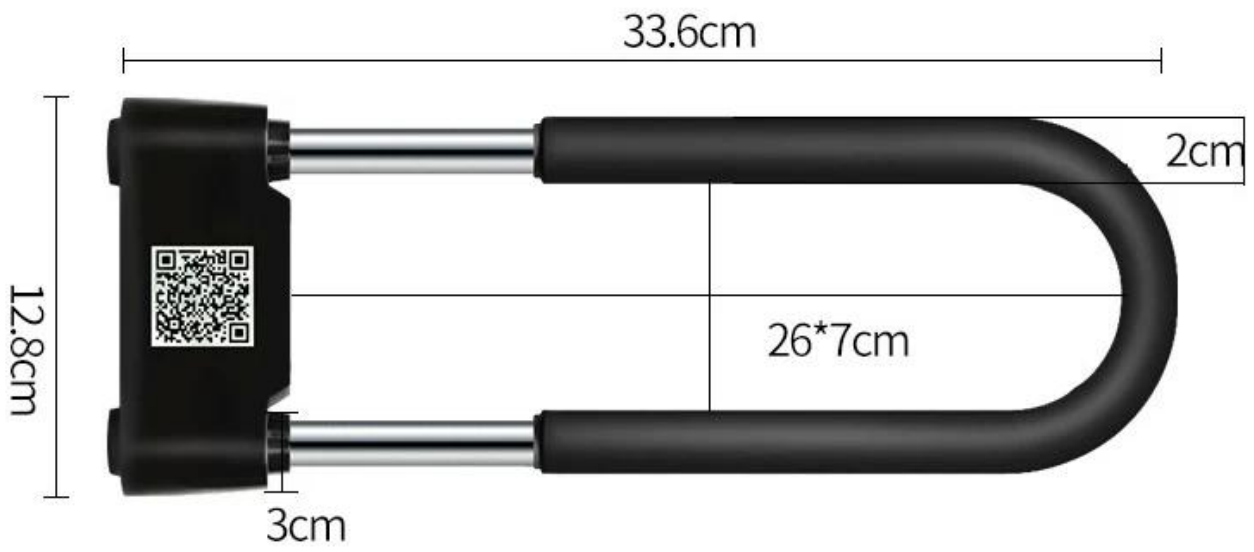
Fast



Product configuration parameters

Item	Detailed description
Product specifications	336mm*128mm*30mm
Working voltage	DC 4V
Working current	<5VmA
Bluetooth	BLE 4.2
Working temperature	-20°C ~ +60°C
Storage temperature	-40°C ~+75°C
Installation method	Free wiring, direct use
Host weight	about 1000g
Battery capacity	500mAh can work for 180 days
Body color	black, silver (matte, bright)
Support system	Support for Apple, Android

size



Place of use

Room



E-Bike



Other



Glass door

