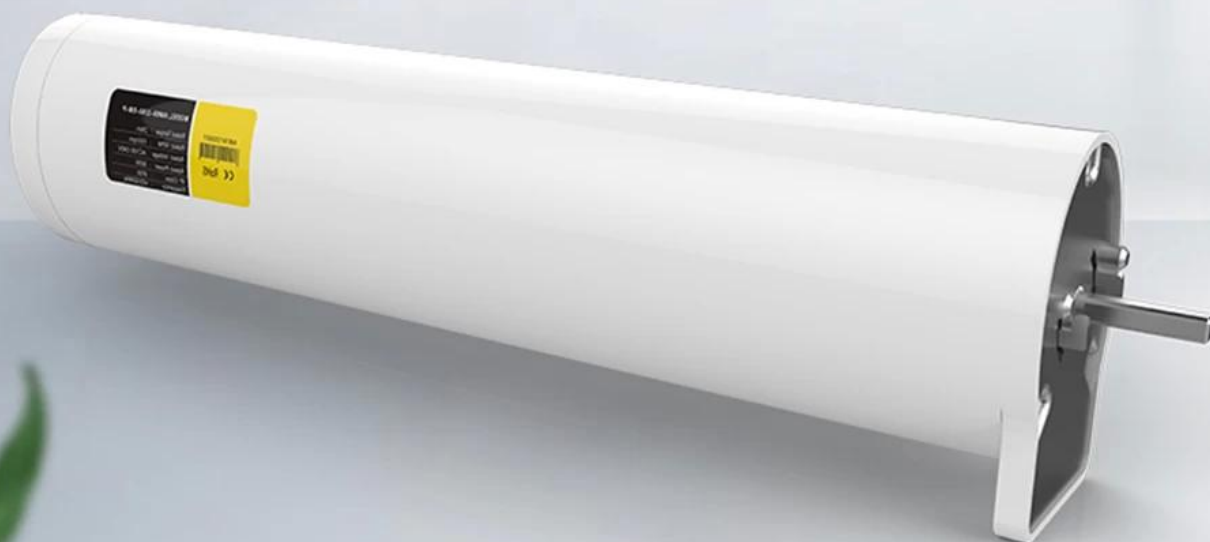


# AM-68

LOW NOISE · HIGH TORQUE

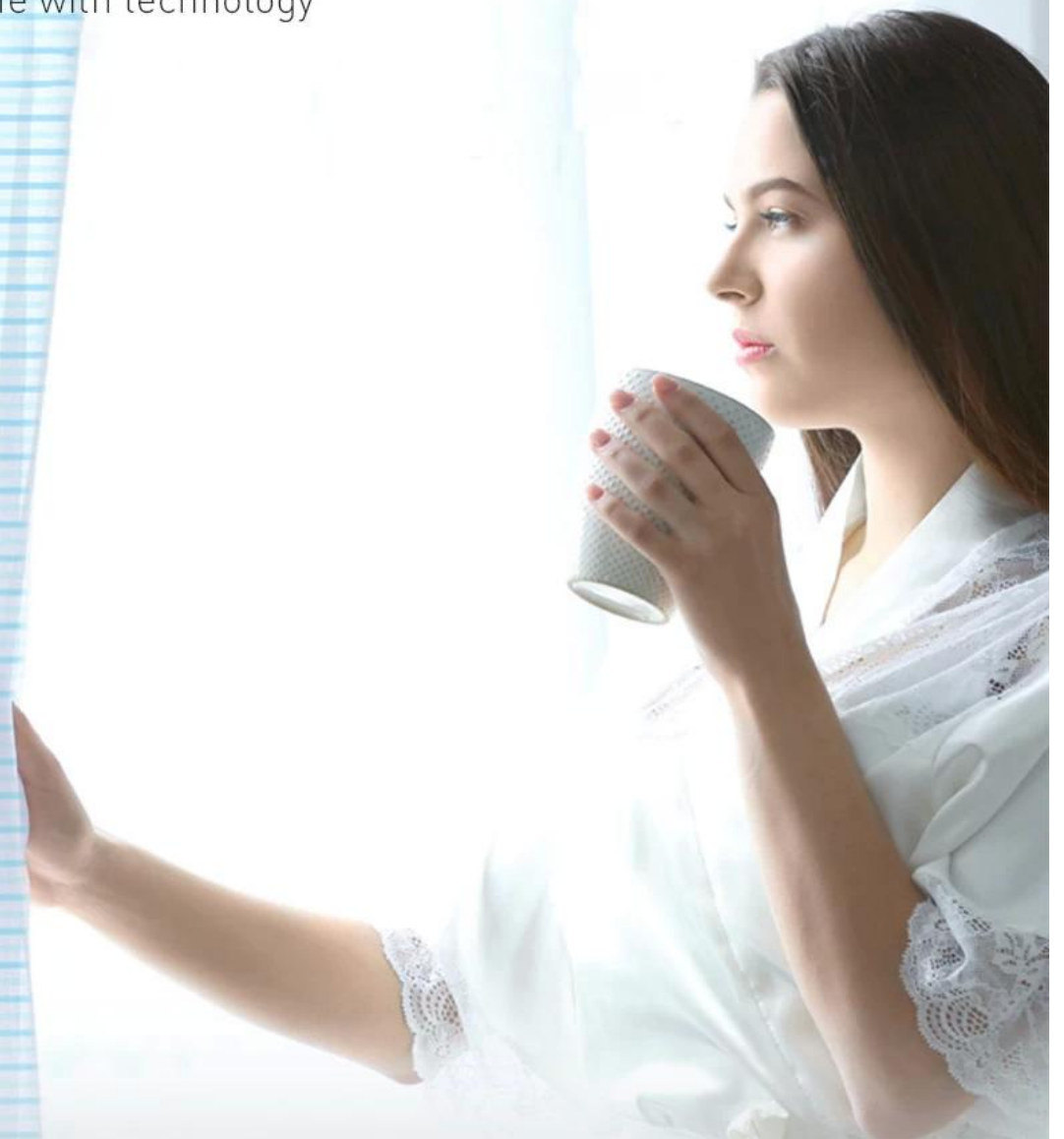


INTELLIGENT



# SMART ERA STARTS FROM THE WINDOW

Improve life with technology

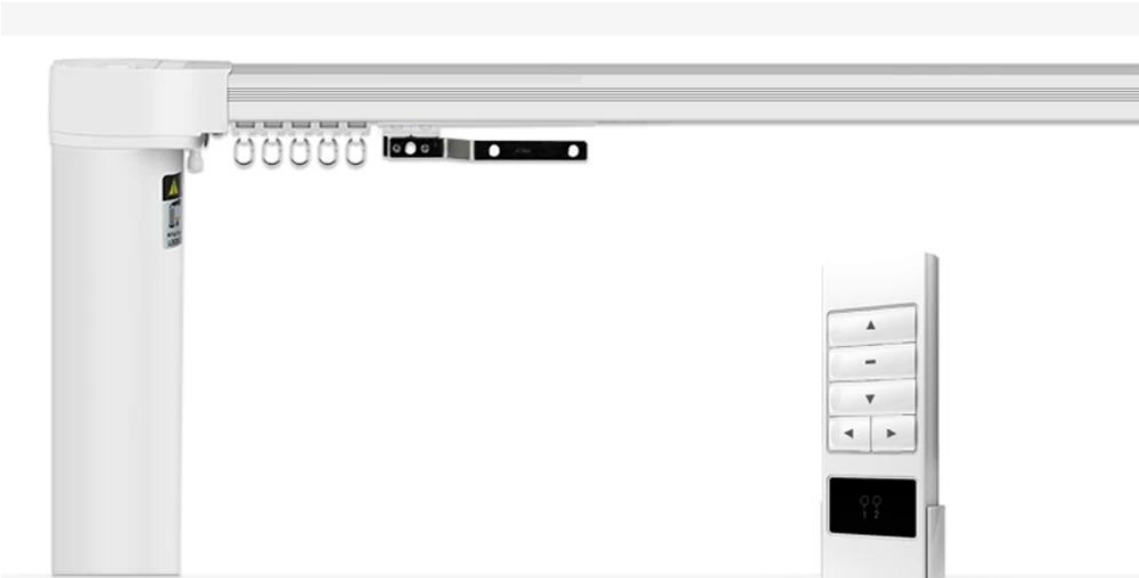


# BE QUIETER BE MORE ENERGETIC

Quiet, under your control

Automatic opening and closing curtain motor





One press of remote control  
Easy opening and closing



# 9 EXPERIMENTAL DATA PROVE STRENGTH

AM-68 is not afraid of challenges, speaks with data



26 dB

Mute index



65W

Electric power



65W

Safety load



360°

No dead ends



20years

Service life



15000 times

Aging test



IP20

Protection level



21years

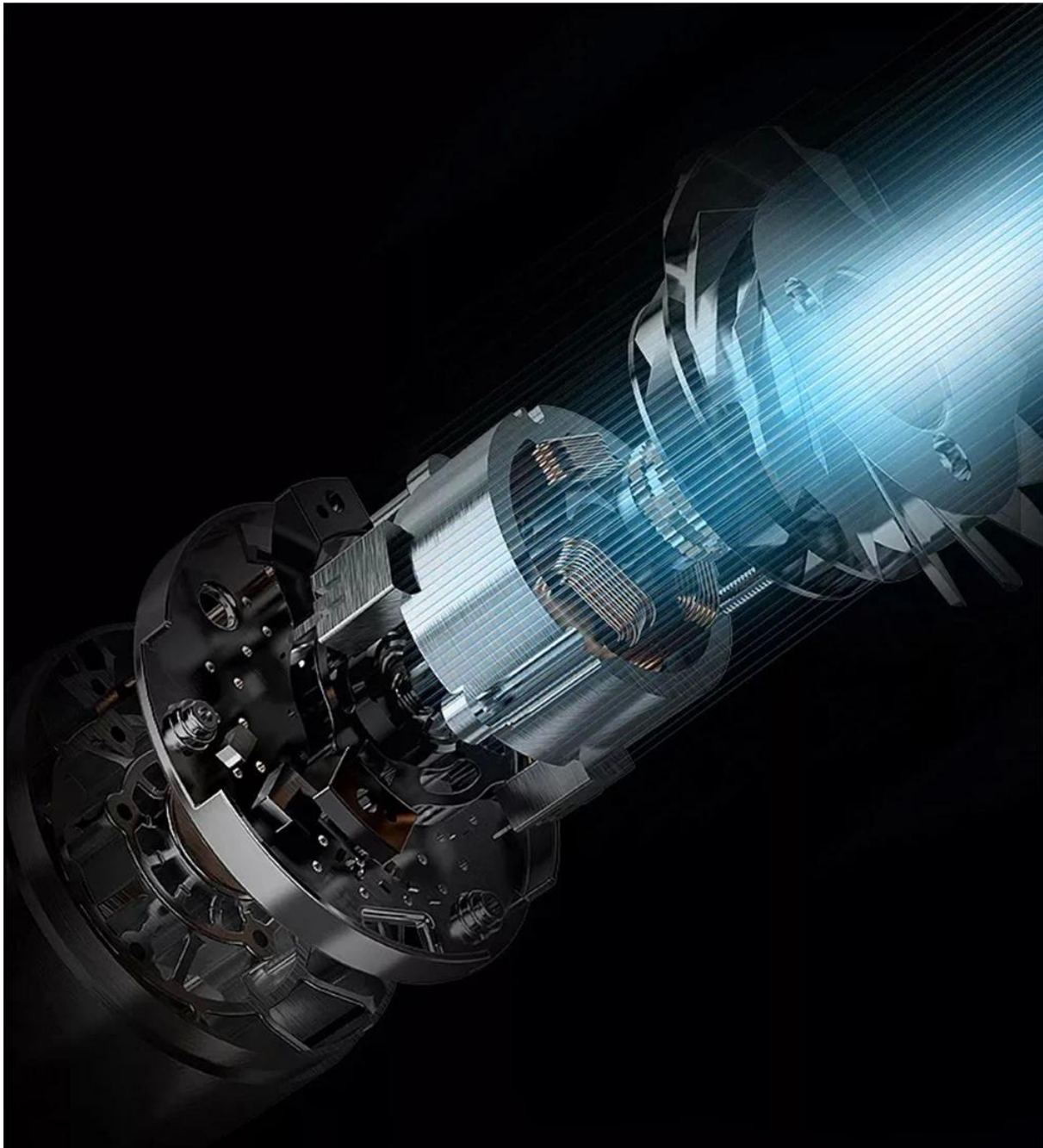
Focus on industry



5years

5 years warranty

The parameters mentioned above are subject to actual use,  
all data are derived from the testing center laboratory and  
are not absolute values.



## **HIGH-POWER BRUSHLESS MOTOR**

The brushless motor equipped with the high-power barrel motor not only stabilizes the power of Bombay, but also allows the machine to operate relatively quietly and keep silent.

## Our motor

Electromagnetic clutch  
+  
Helical tooth



The coil is energized to generate magnetism  
Efficient and smooth



Helical gear rotation  
reduces noise by 25%

**26dB**

1 meter distance  
measured

## Other's motor

Mechanical clutch  
+  
Straight tooth



Mechanical clutch structure  
general transmission  
efficiency, heavier hand pull



Straight tooth rotation  
the gear bite is heavy

**35dB**

1 meter distance  
measured

VS

# APPLICATION SCENARIO

Control multiple scenes easily



OFFICE



HOTEL



FACTORY



# INTERPRET THE QUALITY

Better performance comes from  
more refined quality

## HELICAL TEETH MORE SILENT

Helical teeth design, makes the entire  
click smoother and quieter

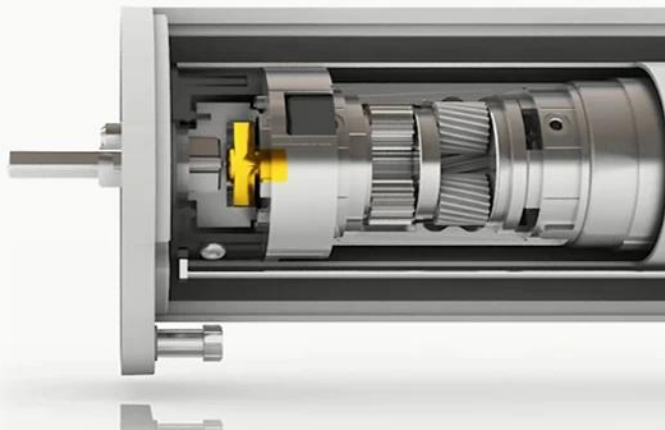


## DOUBLE SHOCK ABSORPTION

Double shock absorption design, more  
natural and stable when working

## NO DEAD SPOTS PERFECT FIT

No dead spot design, perfectly fits the  
card position and groove



# FULL SET OF SMART CURTAINS

Package design, including motor,  
track, remote control



## Parameters

## Smart curtain

Rated power	80W
Input voltage	AC100-240V 50/60Hz
Rated torque	1.5N·m
Rated load	80kg
Protection level	IP20
Motor size	316x68x53mm

Currently, 5G band WiFi is not supported, please select 2.4 band WiFi

The parameters mentioned above are subject to actual use,  
all data are derived from the testing center laboratory and  
are not absolute values.