

304 Edelstahl [Smart Bluetooth U-Lock](#) Sicherheitsschloss für gewerbliche Bürogebäude

Vorteil:

- * Mutige Legierungsstahl, Anti-Gewalt
- * Wasserdichter Schutz für Außenszenen
- * Silikongehäuseschutz, bequem, um mit umfassenderen Schutz des Schließkörpers zu handhaben
- * Key-Sharing, One-Button-Entriegelung
- * Teilen Sie die BLUETOOTH-Key-Autorisierung an andere über das Applet und wiederholen Sie das Recht, den Schlüssel jederzeit zu verwenden.
- * Entsperren Sie Datensatz, ein Klick-Abfrage
- * Entsperren Sie die Spur. Sie können die Zeit jeder Entriegelung und die Unlocker-Informationen über ein Applet anzeigen.
- * Ein-Klick-Autorisierung, Entsperren der Erlaubnis, ein Klick löschen, die Erlaubnis freischalten, Echtzeitansicht, Entsperren aufheben
- * USB-Aufladung, langer Standby

Smart Bluetooth U-lock

Bluetooth connection, applet unlock, bold lock body, silicone protection



Why do we need a smart share lock?



Forgot to bring the key



Company management handover



The key is easy to copy



The key is easy to be cracked

Solve your lock needs in all directions



Keyless unlocking / Low power design / Bluetooth unlock

Advantages

No keyhole

Remote share key

Anti-universal key

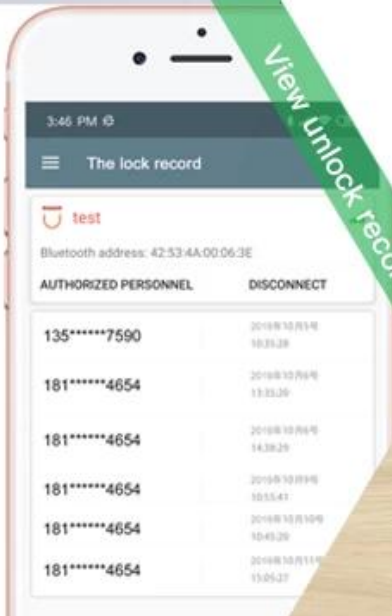
Stainless steel

View unlock record

Chargeable

Mobile phone Bluetooth unlock

USB chargeable



The image shows a smartphone screen displaying a lock management application. The status bar at the top shows the time as 3:46 PM and the battery icon. The app title is "The lock record". Below the title, there is a "test" label and a Bluetooth address: 42:53:4A:00:06:3E. A table lists authorized personnel and their disconnect times.

AUTHORIZED PERSONNEL	DISCONNECT
135*****7590	2018/10/25 18:23:28
181*****4654	2018/10/26 13:23:20
181*****4654	2018/10/26 14:38:25
181*****4654	2018/10/26 10:55:41
181*****4654	2018/10/26 10:43:20
181*****4654	2018/10/26 15:05:27



Quality assurance



Bold alloy steel, anti-violence

Silicone case protection, more comprehensive protection of the lock body

Waterproof protection for outdoor scenes



2.1A

Quality assurance

Quick charge technology



Security



Quality



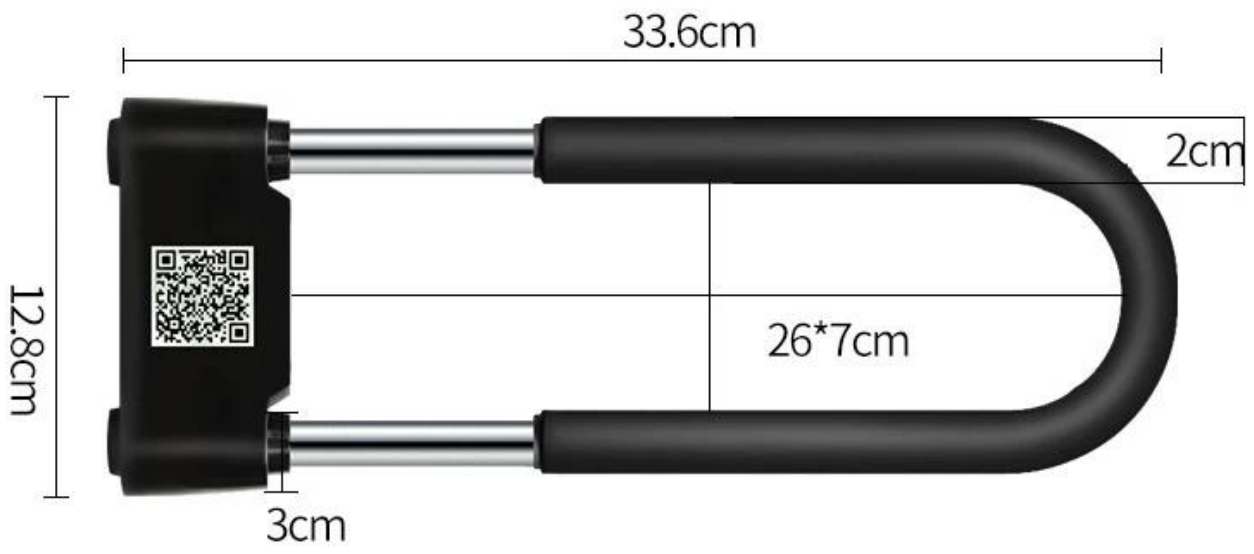
Fast



Product configuration parameters

Item	Detailed description
Product specifications	336mm*128mm*30mm
Working voltage	DC 4V
Working current	< 5VmA
Bluetooth	BLE 4.2
Working temperature	-20°C ~ +60°C
Storage temperature	-40°C ~ +75°C
Installation method	Free wiring, direct use
Host weight	about 1000g
Battery capacity	500mAh can work for 180 days
Body color	black, silver (matte, bright)
Support system	Support for Apple, Android

size



Place of use

Room



E-Bike



Other



Glass door

