

# Omni GPS

Omni GPS  
2  
G 4  
G

1

2

100

3 8000

4 25 3-2

5 OTA

6 60 10-

7 80 40-

8 95 - 5

9 IP66

10 3000 6

Bluetooth

a

SMART LOCK

# MULTIPLE UNLOCKING METHODS ONE STEP AHEAD



- 1 APP scan code to unlock
- 2 Mobile Bluetooth unlock
- 3 Server remote command unlock



SMART LOCK

# MULTI-MODE HIGH- PRECISION POSITIONING



GPS, Beidou, Glonass and other multi-mode high-precision positioning, real-time query, vehicle detection, and geo-fence can be set.



GPS

Glonass

BDS

Smart Lock is a smart lock system that can be used to lock and unlock your bicycle. It is a smart lock system that can be used to lock and unlock your bicycle. It is a smart lock system that can be used to lock and unlock your bicycle. It is a smart lock system that can be used to lock and unlock your bicycle.

SMART LOCK

# TWO CHARGING METHODS, SOLVE THE BATTERY LIFE PROBLEM



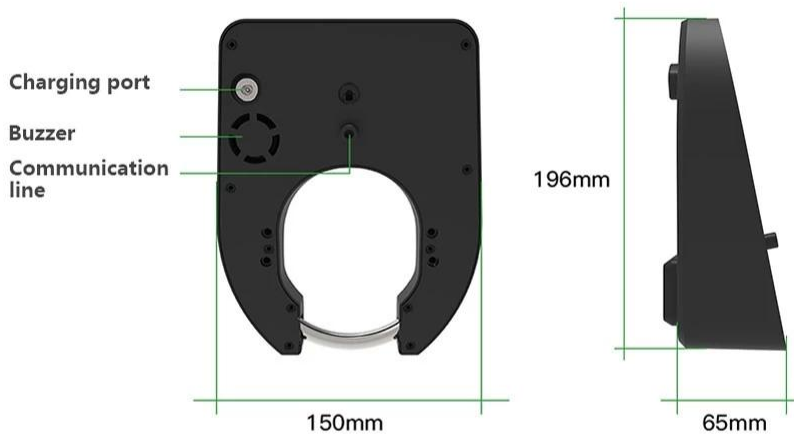
Support solar panel charging, DC head charging, improve battery life and emergency charging



□□□□ □□□□ □□□□ □□□□□□ □□□□□□ □□ □□□

SMART LOCK

## APPEARANCE AND SIZE



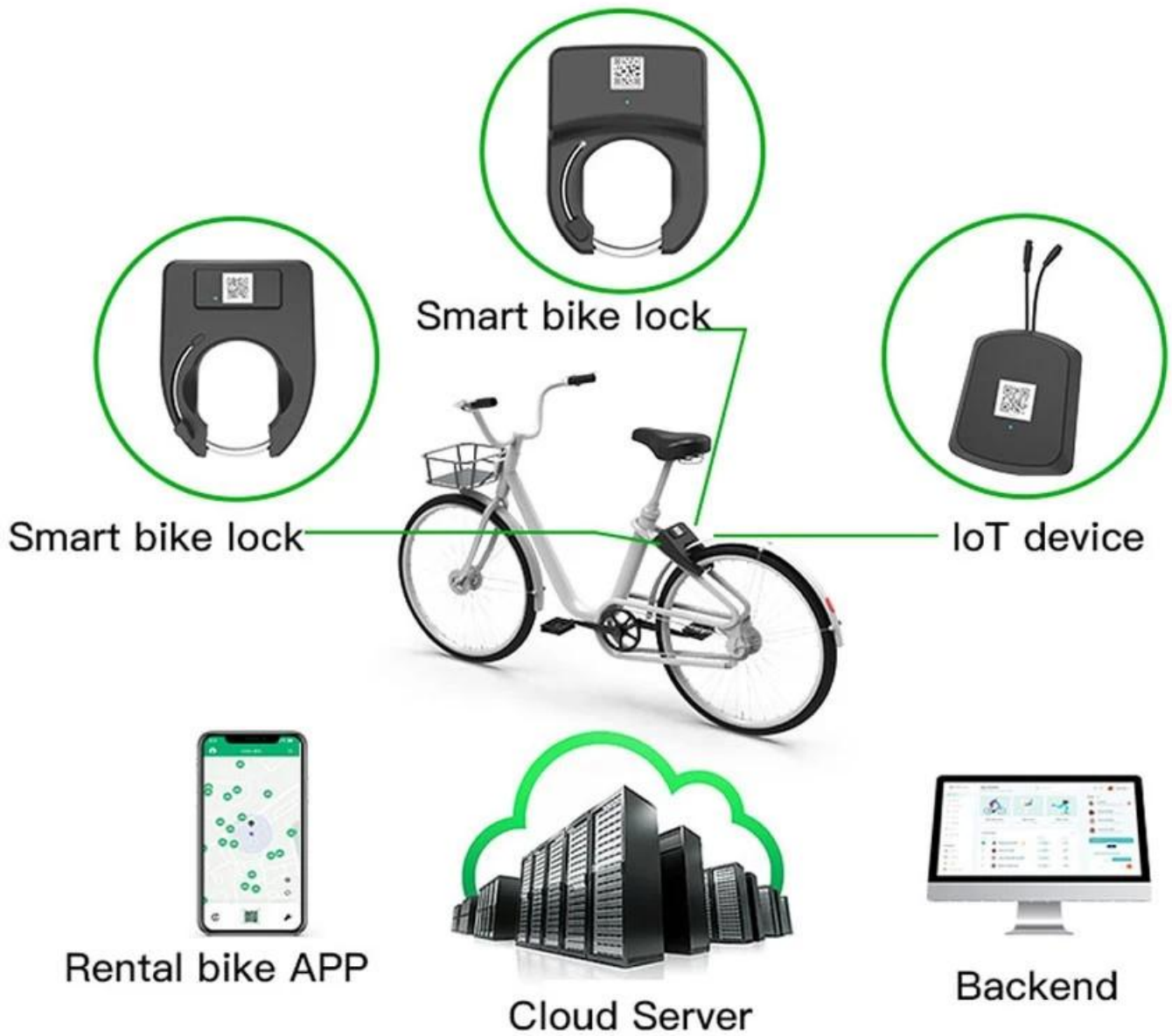
### THE MAIN PARAMETERS

Communication method	2G/4G/BLE
Multiple targeting	GPS/Glonass/BDS
Upgrade method	OTA&BLE
Built-in battery	8000mAh
Steel ring diameter	8mm
Waterproof level	IPX6
Shell material	Aluminum alloy shell

Smart bike lock system architecture diagram showing the integration of various components for a modern bike rental service.

The system consists of several key components: Smart bike locks, IoT devices, a Rental bike APP, Cloud Servers, and a Backend system, all interconnected to provide a seamless user experience.

# Bike Rental System





Omni 20 years of R & D + production + sales for 20 years

# INTERNET OF THINGS CORE TECHNOLOGY SOLUTION PROVIDER

R & D + production + sales for 20 years



Wilshire

UnionBank



# 3

## 01 Source factory (R&D + production + sales)

ODM/OEM personalized customization, daily output 2000 pieces, 4000 square meters factory, independent laboratory

## 02 50+ member R&D team

Deeply cultivated in the field of Internet of Things for more than 20 years, mastering core technologies more than 200 patents

## 03 Quality assurance (20 years experience)

With 20 years of production experience, from product production to delivery  
Standardized testing and control throughout the process

6000 m<sup>2</sup>

The company covers an area

20W pcs

Monthly production

# — PARTNER —

