

304 [...](#) [...](#) [...](#) [...](#) [...](#) [...](#) [...](#) [...](#) [...](#) [...](#) [...](#) **U** [...](#)
[...](#) [...](#) [...](#) [...](#)

...

* ...

... *

... *

...

... *

... * Bluetooth ...

... *

... *

... *

...

... *

...

... * USB ...

Smart Bluetooth U-lock

Bluetooth connection, applet unlock, bold lock body, silicone protection



Why do we need a smart share lock?



Forgot to bring the key



Company management handover



The key is easy to copy



The key is easy to be cracked

Solve your lock needs in all directions



Keyless unlocking / Low power design / Bluetooth unlock

Advantages

No keyhole

Remote share key

Anti-universal key

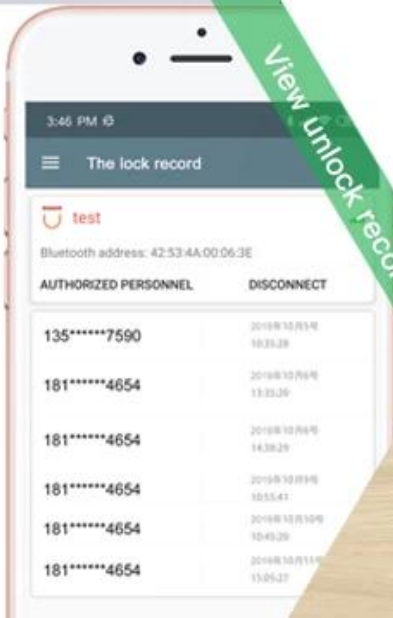
Stainless steel

View unlock record

Chargeable

Mobile phone Bluetooth unlock

USB chargeable



The image shows a smartphone screen displaying a lock management application. At the top, it shows the time 3:46 PM and the title 'The lock record'. Below the title, there is a red shield icon with the word 'test' and a Bluetooth address: 42:53:4A:00:06:3E. The main content is a table with two columns: 'AUTHORIZED PERSONNEL' and 'DISCONNECT'. The table lists several entries with phone numbers and timestamps.

| AUTHORIZED PERSONNEL | DISCONNECT |
|----------------------|---------------------|
| 135*****7590 | 2018/10/25 18:23:28 |
| 181*****4654 | 2018/10/26 13:23:20 |
| 181*****4654 | 2018/10/26 14:38:25 |
| 181*****4654 | 2018/10/26 15:55:41 |
| 181*****4654 | 2018/10/26 16:43:20 |
| 181*****4654 | 2018/10/26 15:05:27 |



Quality assurance



Bold alloy steel, anti-violence

Silicone case protection, more comprehensive protection of the lock body

Waterproof protection for outdoor scenes



2.1A

Quality assurance

Quick charge technology



Security



Quality



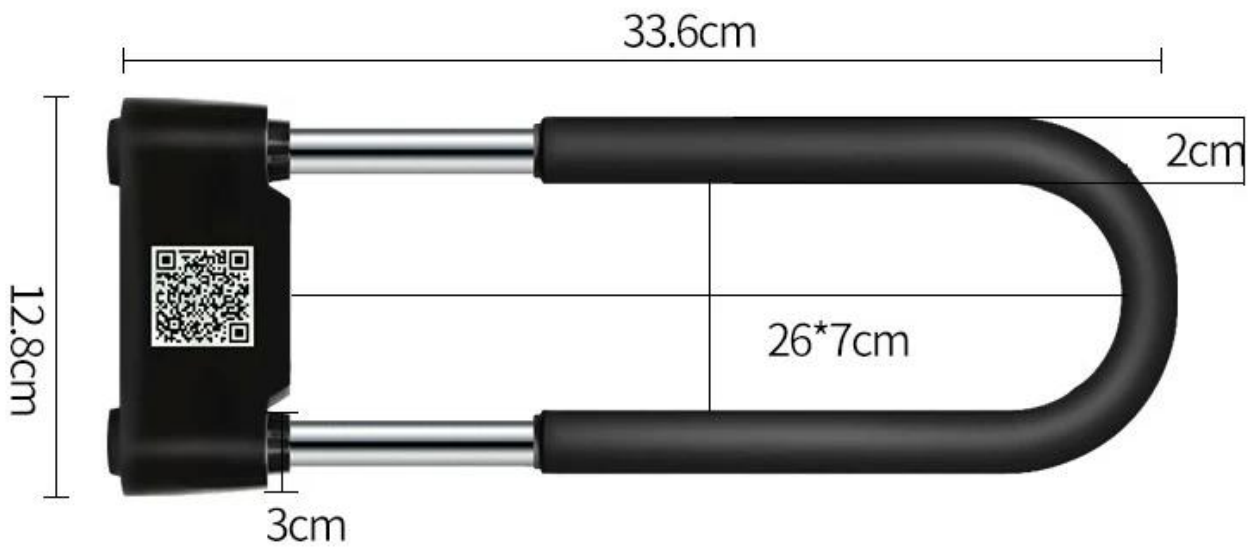
Fast



Product configuration parameters

| Item | Detailed description |
|------------------------|-------------------------------|
| Product specifications | 336mm*128mm*30mm |
| Working voltage | DC 4V |
| Working current | < 5VmA |
| Bluetooth | BLE 4.2 |
| Working temperature | -20°C ~ +60°C |
| Storage temperature | -40°C ~ +75°C |
| Installation method | Free wiring, direct use |
| Host weight | about 1000g |
| Battery capacity | 500mAh can work for 180 days |
| Body color | black, silver (matte, bright) |
| Support system | Support for Apple, Android |

size



Place of use

Room



E-Bike



Other



Glass door

