

304 acero inoxidable [Smart Bluetooth U-Lock](#) Cerradura de seguridad para edificios comerciales de oficinas.

Ventaja:

- * Acero de aleación audaz, anti-violencia.
- * Protección impermeable para escenas al aire libre.
- * Protección de la caja de silicona, cómoda para manejar, protección más completa del cuerpo de la cerradura.
- * Compartir clave, un botón de desbloqueo de un botón
- * Comparta la autorización de teclas Bluetooth a otras personas a través del applet, y reclame el derecho de usar la clave en cualquier momento.
- * Record de desbloqueo, consulta de un solo clic
- * Desbloquee la traza. Puede ver la hora de cada desbloqueo y la información del desbloqueo a través de un applet.
- * Autorización de un solo clic, permiso de desbloqueo, eliminación de un solo clic, permiso de desbloqueo, vista en tiempo real, registro de desbloqueo
- * Carga USB, Long Standby

Smart Bluetooth U-lock

Bluetooth connection, applet unlock, bold lock body, silicone protection



Why do we need a smart share lock?



Forgot to bring the key



Company management handover



The key is easy to copy



The key is easy to be cracked

Solve your lock needs in all directions



Keyless unlocking / Low power design / Bluetooth unlock

Advantages

No keyhole

Remote share key

Anti-universal key

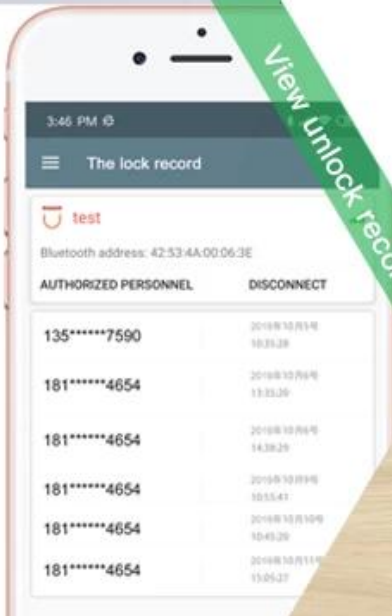
Stainless steel

View unlock record

Chargeable

Mobile phone Bluetooth unlock

USB chargeable



The image shows a smartphone screen displaying a lock management application. At the top, it shows the time 3:46 PM and the title 'The lock record'. Below the title, there is a red 'test' label and a Bluetooth address: 42:53:4A:00:06:3E. The main content is a table with two columns: 'AUTHORIZED PERSONNEL' and 'DISCONNECT'. The table lists several entries with phone numbers and timestamps.

AUTHORIZED PERSONNEL	DISCONNECT
135*****7590	2018/10/25 18:23:28
181*****4654	2018/10/26 13:23:20
181*****4654	2018/10/26 14:38:25
181*****4654	2018/10/26 10:55:41
181*****4654	2018/10/26 10:43:20
181*****4654	2018/10/26 15:05:27



Quality assurance



Bold alloy steel, anti-violence

Silicone case protection, more comprehensive protection of the lock body

Waterproof protection for outdoor scenes



2.1A

Quality assurance

Quick charge technology



Security



Quality



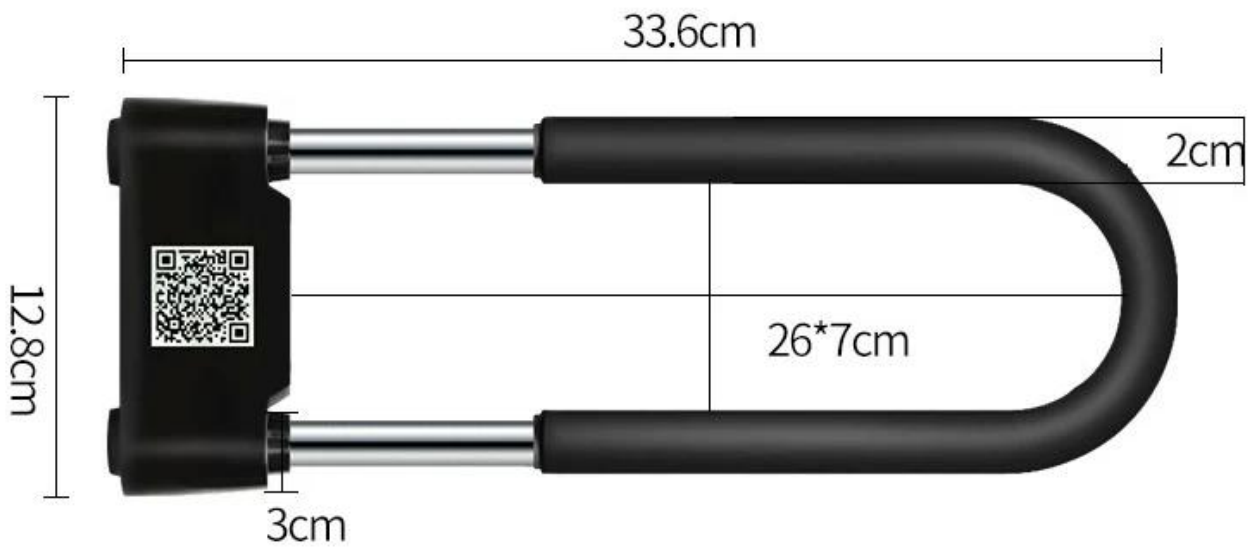
Fast



Product configuration parameters

Item	Detailed description
Product specifications	336mm*128mm*30mm
Working voltage	DC 4V
Working current	< 5VmA
Bluetooth	BLE 4.2
Working temperature	-20°C ~ +60°C
Storage temperature	-40°C ~+75°C
Installation method	Free wiring, direct use
Host weight	about 1000g
Battery capacity	500mAh can work for 180 days
Body color	black, silver (matte, bright)
Support system	Support for Apple, Android

size



Place of use

Room



E-Bike



Other



Glass door

